



UL: E361637



G1-S2

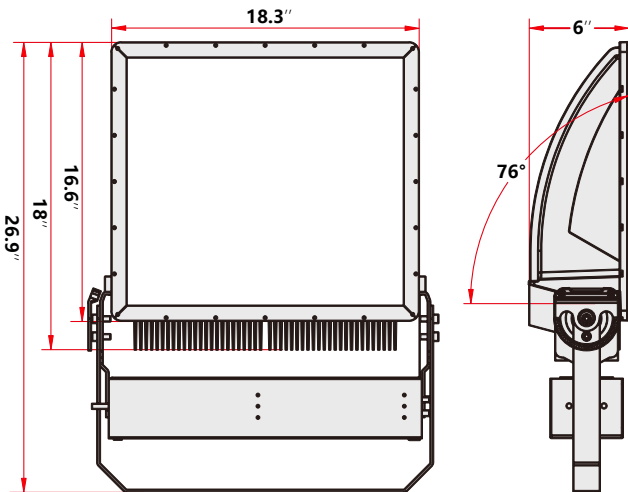
HIGH MAST LIGHTING

300W, 400W

APPLICATIONS

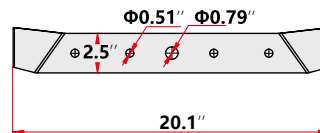
- Sporting facilities and stadium lighting
- High mast roadway lighting
- Airport security lighting
- International borders
- Industrial & Commercial parking lots
- Rail yard lighting

DIMENSION & WEIGHT

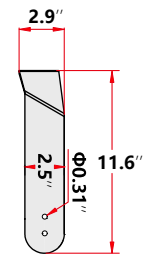


★ HANDLE THREE VIEW DRAWING

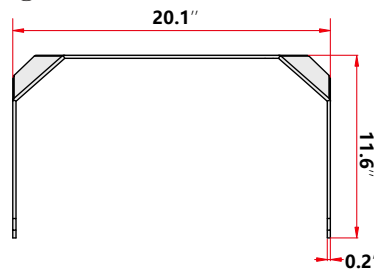
① Front View



② Left View

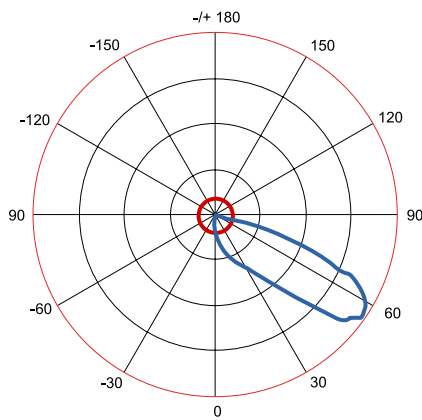


③ Vertical View



FIXTURE WEIGHT : 43 lbs

PHOTOMETRICS



ORDERING INFORMATION

EXAMPLE PART #: ST-G1-S3 - 300 - NICHIA - MEANWELL - 3K-3000K - 70 - 100/277V

ST-G1-S2		NICHIA	MEANWELL			
SERIES	WATTS	LED LIGHT SOURCE	DRIVER	CCT	CRI	INPUT POWER
ST-G1-S2	300 400	NICHIA	MEANWELL	3K-3000k 4K-4000k 5K-5000k 5.7K-5700k 6.5K-6500k	70 80 90	100-277V 180-528V (Optional)

SPECIFICATIONS

Beam Angle | Asymmetric
Lumen Output | 39,000LM / 52,000LM
OPERATING TEMPERATURE | -104°F to 122°F
IP RATING | IP 65
LIFE TIME | 50,000hours

LISTINGS

UL Listed
DLC Listed

Other Details

Fixture Material | Aluminum
Mounting | U-Bracket / Slip Fitter (optional)
Color | Grey (Other color available)
Warranty | 7 years
EPA | 0.75 ft² — 1.25 ft²

SPARE PARTS (Order accessories as separate part number from your Fixture Model No.)



COVER ASYMMETRICAL



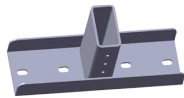
PROTECTIVE GRID



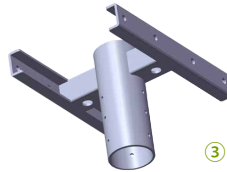
LOUVER ASYMMETRICAL



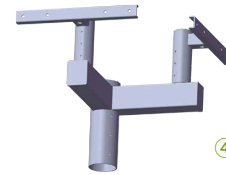
①



②



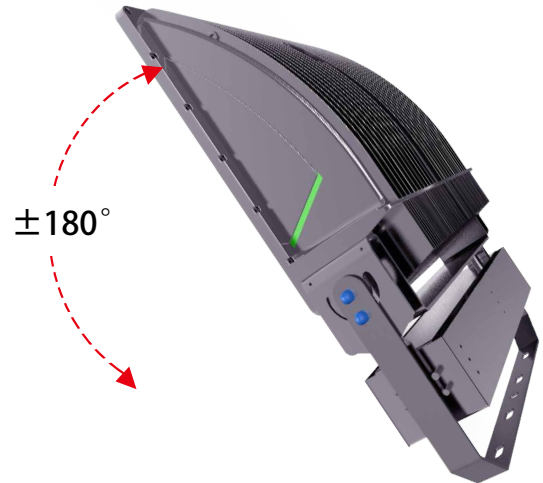
③



④

ADAPTERS NOTE: We can customize different types adapters and arms.

ADJUSTABLE MOUNT



Adjustable loop mounting bracket rotates 180° for convenient optical control and easy replacement of existing fixture installations.