



DISC LED™ Indirect & Direct PREMIUM 150 LM/W

The DISC LED is perfect for lighting all types of indoor sport and manufacturing facilities including natatorium and Air Domes with ceilings 18' to 125' feet high.

General Information

Part No. DISC LED

Specify: (Wattage, Voltage & Mounting)

Input Voltage: 120-277 or 347-480

CCT: 5100

CRI: Ra85

Dimmable: 0-10V

Weight: 30 lbs.

LED Chip : NICHIA

DRIVER: INVENTRONICS

Housing and Heat sink: Aluminum

Working Temperature: -30 to 50C

Power Factor: 99.9

Rated for: Natatorium (IP65 rated)

Warranty: 10 years

Lumen Output: See below.

Accessories: Occupancy Sensors

Wire Guard

Indirect - 72491 Lumen-151.9 lm/w

Watts 481 473 479 478

Volts 120 277 347 480

Amps 4.01 1.80 1.39 1.05

Indirect - 80303 Lumen-142.4 lm/w

Watts 565 552 561 560

Volts 120 277 347 480

Amps 4.71 2.08 1.61 1.16

Direct - 67602 Lumen-139 lm/w

NO Glare White Lens

Watts 481 473 479 479

Volts 120 277 347 480

Amps 4.04 1.84 1.39 1.00

Direct - 80303 Lumen-142.4 lm/w

Clear Lens

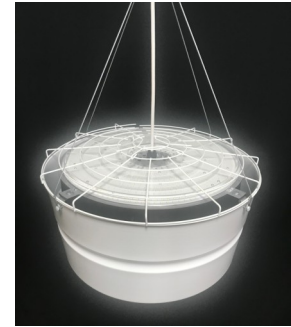
Watts 565 552 561 560

Volts 120 277 347 480

Amps 4.71 2.08 1.61 1.16



Pendent



Cable



Direct



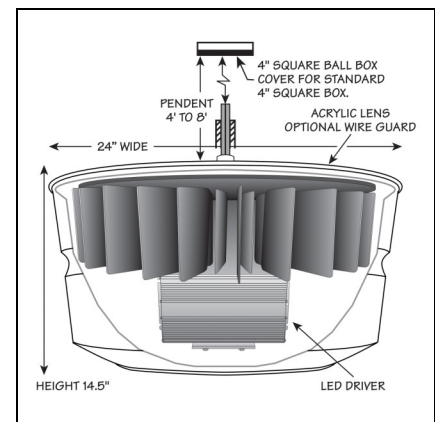
Unistrut/Pole/Wall



HPP DISC Retrofit Kit



DISC LED Retrofit Kit



800-545-2928 or 248-588-4980

www.bestlights.com

100 Park Drive Troy, MI 48083

BEST Lights are made in Michigan!