



BEST Lights 75 to 400 Watt Linear LED

CONSTRUCTION

Cutting-edge modular design with pure aluminum extrusion heatsink which comes with excellent heat dissipation and anti-corrosion capacity.

OPTICS

Available with 3 different beam angles for low and high ceiling and aisle application. Thanks to considerate mechanical design that lens is also changeable in field.

FLEXIBILITY

With a large junction box in the middle and toolless entry, many accessories like emergency kit, sensor or control module can be installed easily.

INSTALLATION

Universal mounting options: rope hanging, surface mount and pole mount.



Order Combo

Series	Power	Color Temperature	Beam Angle	DIM	Voltage	CRI	Finish	Mounting	Sensor	Emergency
BL-LINEAR HIGHBAY	75w	4000 K	120°	1-10V	120-277V ① 200-480V	80+	WHITE	Adjustable ② Hanging Kit C Surface Mount Kit Wire Guard (WG)	MCPiRQ ③ SWPIR MT0CC	EM@ ④
	100w	5000 K	90°							
	150w		50°-90°							
	200w									
	240w									
300w										
400w										

REMARKS:

- ① 347/480V is only available with 100 150 200 300W.
- ② Standard version with adjustable hanging kit 2M, surface mount kit order separately.
- ③ MCPiR: UL certified 120-277V PIR sensor kit with Mcwong PSC-BL-1-FM-DCO; front side 314inch knockout mount. Max 12m high.

SWPIR: UL certified 120-277V PIR sensor kit with Sharkward BRI823; front side 1 inch knockout mount; Max 12m high.

MT0CC: UL certified 100-277V microwave sensor kit with Merry tek 054V sensor; mount on side 1/2 knockout; Max 15m high.

- ④ EM: 15W output 90mins; Infinex emergency kit UL924 listed and alternated in UL.

Lumen Table

Model No.	Power	Beam Angle	4000K Ra80		5000K Ra80	
			Lumens	LPW	Lumens	LPW
BL-L-75W	75	120°	10725	143	10875	145
		90°	10650	142	10800	144
		50°-90°	10575	141	10650	142
BL-L-100W	100	120°	14300	143	14500	145
		90°	14200	142	14400	144
		50°-90°	14100	141	14200	142
BL-L-150W	150	120°	21900	146	22500	150
		90°	21750	145	22050	147
		50°-90°	21300	142	21450	143
BL-L-200W	200	120°	29200	146	30000	150
		90°	29000	145	29400	147
		50°-90°	28400	142	28600	143

Model No.	Power	Beam Angle	4000K Ra80		5000K Ra80	
			Lumens	LPW	Lumens	LPW
BL-L-240W	240	120°	35040	146	36000	150
		90°	34800	145	35280	147
		50°-90°	33840	141	34320	143
BL-L-300W	300	120°	42900	146	43500	145
		90°	42600	142	43200	144
		50°-90°	42300	141	42600	142
BL-L-400W	400	120°	57200	143	58000	145
		90°	56800	142	57600	144
		50°-90°	56400	141	56800	142

Test results shown here are based on initial stage and with AC277 input.

FIXTURE WARRANTY

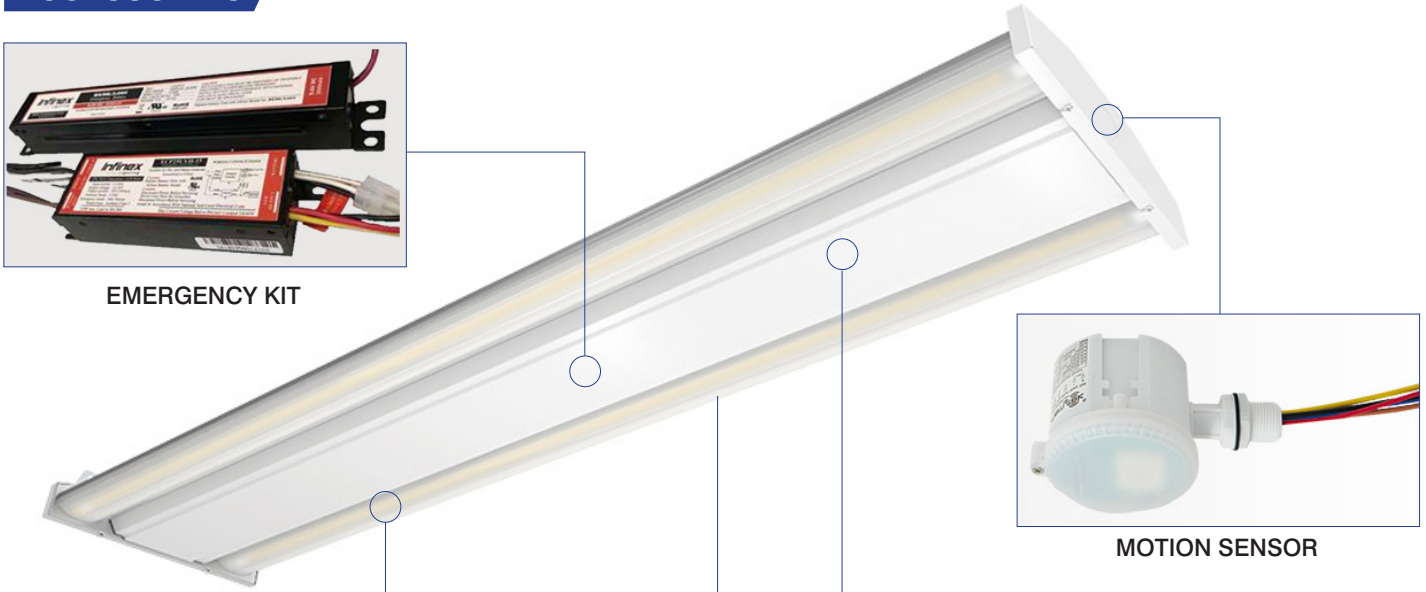
Best Lights, Inc. warranty fixtures to be free from defects in material and workmanship under normal use and service for a period of five (5) years from date of shipment. If found to be defective, we will replace the non-performing parts. Option -10 year warranty available.

BEST Lights 75 to 400 Watt Linear LED

ACCESSORIES



EMERGENCY KIT



MOTION SENSOR



LENS



WIRE GUARD



PIR SENSOR

Dimension (Inch)

Model No.	Length	Width	Height
BL-L-75W-600-2	23"	10"	2.375"
BL-L-100W-600-2	23"	10"	2.375"
BL-L-150W-600-2	23"	10"	2.375"
BL-L-200W-1200-2	47"	10"	2.375"
BL-L-240W-1200-2	47"	10"	2.375"
BL-L-300W-1200-2	47"	10"	2.375"
BL-L-400W-1200-4	47"	14.75"	2.375"



Installation



Rope Hanging

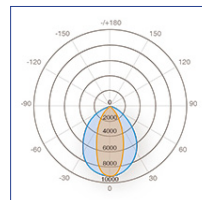


Surface Mount

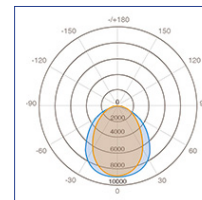


Pole Mount

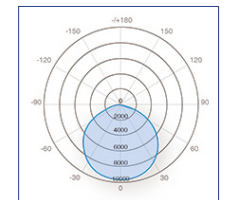
Optical



50°X90°



90°



120°



www.bestlights.com

100 Park Drive • Troy, MI 48083
(800) 545-2928 • (248) 588-4980



BEST Lights are made in Michigan