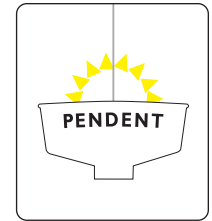


# Direct/Indirect (D/I) Lighting with Remote HID Ballast

The dynamic shape and unique direct aspect of this base up metal halide direct/indirect fixture reflects light at specific angles with precise bulb placement. This produces more light on product and at floor levels eliminating annoying glare and shadows. Ideal for lighting retail, manufacturing, commercial, industrial, and sports facilities with white ceiling heights from 12-50 feet.

**Description:** Direct/Indirect aluminum fixture pre-wired and assembled for Metal Halide base up lamps. Indirect opening 25" diameter with a 30 degree smooth reflecting inner surface. Direct opening 8" diameter with either a solid acrylic or cubed parabolic lens. Light disbursement 10% direct – 90% indirect. Fixture painted: high temperature polyester powder coating; gloss white. Pendant and 4" swivel ball box cover included.



## Ordering Information

example: MH-DI PM4 750 MT P 277 PS



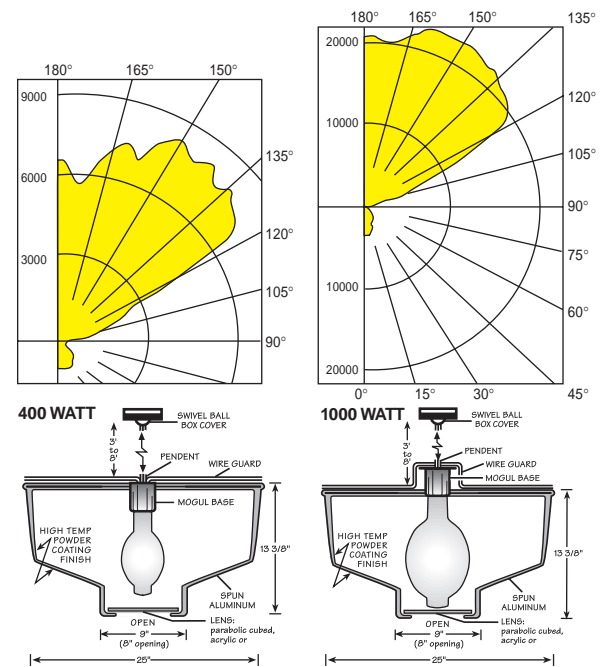
MH-DI							
Fixture Type	Length	Pendent Length	Wattage	Item Number	Remote Ballast Options	Voltage	Other Options:
	4'	PM4	250	250	MT	120	QR
	6'	PM6	400	400	Multi-tap	208	LI
	8'	PM8	750	750	480 Volt	240	PS
			1000	1000	Indoor enclosed ballast – Potted	277	AL
			XXX	XXX	Indoor enclosed ballast – Non-Potted	347	CL
				Other (specify)		480	WG

**Fixture Warranty**  
Best Lights, Inc. warranty fixtures to be free from defects in material and workmanship under normal use and service for a period of five (5) years from date of shipment. If found to be defective by us, we will replace the non-performing parts. Light bulbs and ballast on separate warranty.

IES Files upon request

**Photometrics Test (1,000 Watt)**  
Light between 90° and 120° is proven non-reflective and does not produce any light at floor levels.

- Test Facility: Independent Testing Laboratories, Inc.
- Test Numbers: ITL46917
- Lamp: 400-watt metal halide, base up, 40,000 lumens
- Test Facility: Independent Testing Laboratories, Inc.
- Test Numbers: ITL46918
- Lamp: 1000-watt metal halide, base up, 115,000 lumens



Brilliant Energy Saving Technology

100 Park, Troy, MI 48083  
Fax (248) 589-0134

PHONE (248) 588-4980  
TOLL FREE (800) 545-2928