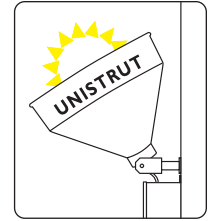


Indirect Wall/Pole Mount with HID Remote Ballast

The (IW/P) Indirect Wall/Pole Mount fixture provides up to 35% more light than other fixtures because of the unique reflector design and mounting positions. This durable fixture reflects light at specific angles increasing illumination at floor levels. More light can allow fewer fixtures to be used resulting in lower electric bills and installation cost. Ideal for lighting sports, pools, commercial, fabric structure and air structure facilities with white ceiling heights from 15' to 80'. The mounting bracket allows perfect aiming for maximum reflection and the inter-locking system secures the fixture in-place. Ideal for retrofitting existing pole and wall mount fixtures.

Description: Metal Halide indirect universal bulb fixture pre-wired and assembled. Aluminum 24" outer housing with suspended impact resistant inner aluminum reflector. Internal and external locking bolt system on bracket and fixture. Fixture Painted: high temperature polyester powder coating; 90% gloss white. Wire guard or glass lens. Male and female auto lock plugs are available for quick connection at fixture.



Ordering Information

example: ISP PM8 1000 MT P 277 LI



MH-IW/P	Wattage	Item Number	Remote Ballast Options	Voltage	Lamp Included	Other Options:
Fixture Type	250	250	Multi-tap	120		LI
	400	400	480 Volt	208	Wire Guard	WG
	750	750	Indoor enclosed ballast - Potted	240	Glass Lens	GL
	1000	1000	Indoor enclosed ballast - Non-Potted	277	Cord & Plug	CP
XXX	XXX	XXX	Outdoor Waterproof ballast	347		
				480		

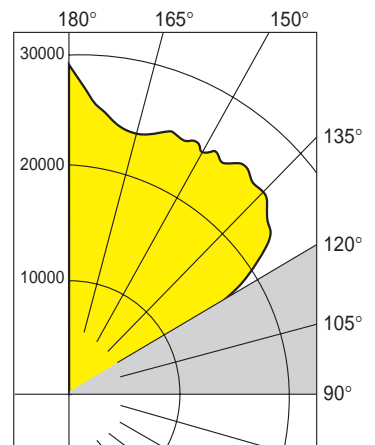
Test Facility: Independent Testing Laboratories, Inc.

Test Number: ITL42258

Lamp: 1000-watt metal halide, universal, 110,000 lumens

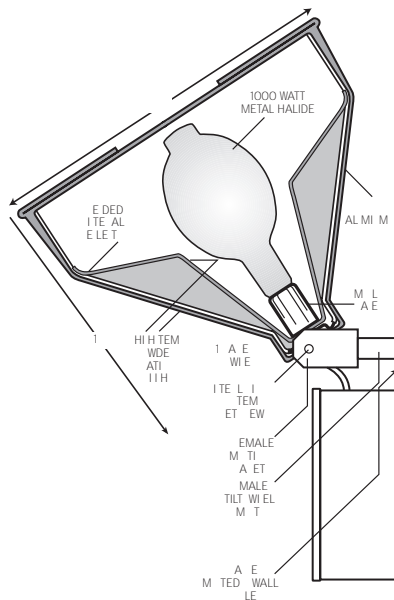
Photometrics Test (1,000 Watt)

Light between 90° and 120° is proven non-reflective and does not produce any light at floor levels.



IES Files upon request

Fixture Warranty
Best Lights, Inc. warranty fixtures to be free from defects in material and workmanship under normal use and service for a period of five (5) years from date of shipment. If found to be defective by us, we will replace the non-performing parts. Light bulbs and ballast on separate warranty.



Brilliant Energy Saving Technology

100 Park, Troy, MI 48083
Fax (248) 589-0134

PHONE (248) 588-4980

TOLL FREE (800) 545-2928