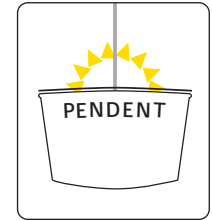


INDIRECT LIGHTING

Patent Pending XL-Direct Indirect Glass (XL-DIG) with Remote HID Ballast

The light disbursement from a HID light bulb is horizontal; this unique design reflects the light vertically at specific angles increasing illumination throughout the entire facility. The 92 percent translucent glass lens provides a soft non-glaring light, which reduces eyestrain while increasing visibility. Ideal for lighting retail, office, commercial and sports facilities with white ceiling heights from 15-50 feet.

Description: Direct/Indirect Metal Halide Base up aluminum fixture with glass venting system pre-wired and assembled. Light disbursement 38% direct - 62% indirect. Top lens: clear tempered 1/4" glass with 2" frosting around perimeter. Bottom lens: tempered 1/4" glass concaved 92% translucence frosted. Fixture Painted: high temperature polyester powder coating; gloss white. Includes pendent and 4" ball box cover.



available with or without rib

Ordering Information

example: MH-XL-DIG PM4 400 MT P 277 PS



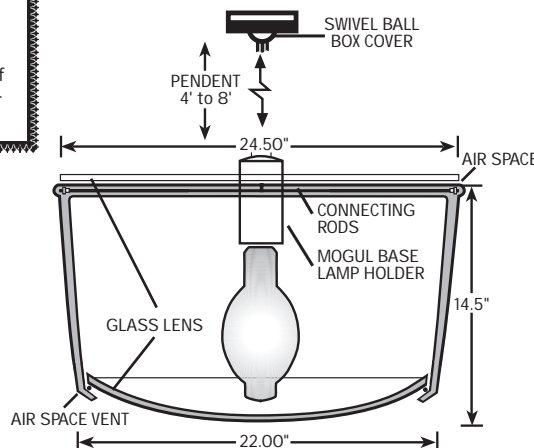
MH-XL-DIG		Length	Pendent Length	Wattage	Item Number	Remote Ballast Options	Voltage	Other Options:
Fixture Type		4'	PM4	250	250	Multi-tap	120	Lamp Included LI
		6'	PM6	400	400	480 Volt	208	Pulse Start PS
		8'	PM8	750	750	Indoor enclosed ballast - Potted	240	Rib R
				1000	1000	Indoor enclosed ballast - Non-Potted	277	Rib & Slots RS
				XXX	XXX Other (specify)		347	
							480	

Fixture Warranty
Best Lights, Inc. warranty fixtures to be free from defects in material and workmanship under normal use and service for a period of five (5) years from date of shipment. If found to be defective by us, we will replace the non-performing parts. Light bulbs and ballast on separate warranty.

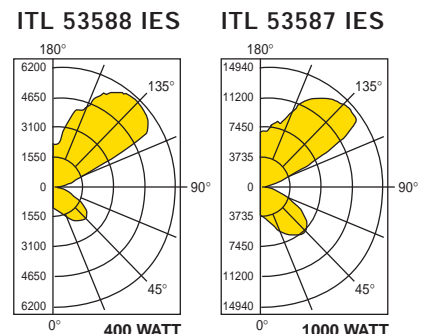


100 Park, Troy, MI 48083
Fax (248) 589-0134

PHONE (248) 588-4980
TOLL FREE (800) 545-2928



Test Facility: Independent Testing Laboratories, Inc.



IES Files upon request